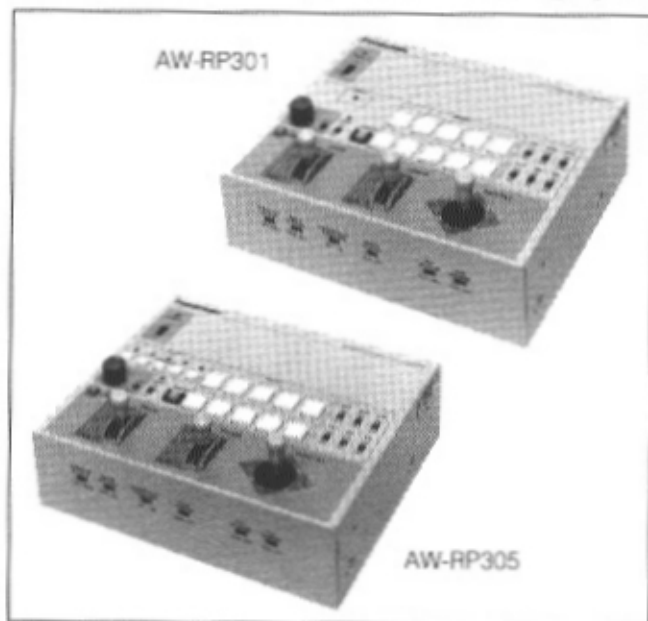




Pan/tilt Control Panel
AW-RP301
Multi Pan/tilt Control Panel
AW-RP305

Operating Instructions



Panasonic®

Before attempting to connect or operate this product,
please read these instructions completely.

	CAUTION RISK OF ELECTRIC SHOCK DO NOT OPEN	
<p>CAUTION: TO REDUCE THE RISK OF ELECTRIC SHOCK, DO NOT REMOVE COVER (OR BACK). NO USER SERVICEABLE PARTS INSIDE. REFER SERVICING TO QUALIFIED SERVICE PERSONNEL.</p>		



SA 1965

The lightning flash with arrowhead symbol, within an equilateral triangle, is intended to alert the user to the presence of uninsulated "dangerous voltage" within the product's enclosure that may be of sufficient magnitude to constitute a risk of electric shock to persons.



SA 1966

The exclamation point within an equilateral triangle is intended to alert the user to the presence of important operating and maintenance (servicing) instructions in the literature accompanying the appliance.

For U.S.A.

Warning:

This equipment generates and uses radio frequency energy and if not installed and used properly, i.e., in strict accordance with the instruction manual, may cause harmful interference to radio communications. It has been tested and found to comply with the limits for a Class A computing device pursuant to Subpart J of Part 15 of FCC Rules, which are designed to provide reasonable protection against such interference when operated in a commercial environment.

For CANADA

This digital apparatus does not exceed the Class A limits for radio noise emissions from digital apparatus set out in the Radio Interference Regulations of the Canadian Department of Communications.

The serial number of this product may be found on the bottom of the unit.

You should note the serial number of this unit in the space provided and retain this book as a permanent record of your purchase to aid identification in the event of theft.

Model No. _____

Serial No. _____

WARNING:

TO PREVENT FIRE OR ELECTRIC SHOCK HAZARD, DO NOT EXPOSE THIS APPLIANCE TO RAIN OR MOISTURE.

CONTENTS

FEATURES	2
PRECAUTIONS	3
MAJOR OPERATING CONTROLS AND THEIR FUNCTIONS	4
INSTALLATION OF PAN/TILT HEAD	13
CONNECTIONS	16
OPERATING PROCEDURES	19
RACK MOUNTING	22
SPECIFICATIONS	24
ACCESSORIES	25

FEATURES

- The AW-RP305 is a pan/tilt control panel that controls up to 5 Pan/tilt Heads (AW-PH300). Various pan/tilt control signals can be sent and received through a single 10BASE-T (UTP category 5) cable per pan/tilt head.
- The maximum distance from this control panel to the camera and pan/tilt head is 500 meters.
- Head pan/tilt and lens zoom/focus can be controlled at varying speeds with the servo control, and can be pre-set at up to 10 points per pan/tilt head.
- With the auxiliary control input connector (AUX CONTROL IN), pan/tilt, zoom, focus, and iris operations can be externally controlled.

PRECAUTIONS

- **Use only with AC Adaptor AW-PS301.**
- **Handle the control panel with care.**
Dropping the control panel or subjecting it to a strong shock can cause a failure or an accident.
- **Operating temperature range -10°C to +45°C**
Avoid using it in a cold place below -10°C or a hot place above +45°C because low or high temperature will adversely affect the parts inside.
- **Switch power off before power cable connection or disconnection.**
Be sure to switch power off before connecting or disconnecting the power cable.
- **Avoid outdoor use.**
- **Install the control panel more than 1 meter away from the monitors.**

- **Care**

Pull out the power cable plug, and wipe the control panel clean with a dry cloth. If it is extremely dirty, dip a cloth into a diluted solution of kitchen detergent, squeeze it hard, and wipe the product surfaces carefully.

Note

- Do not use benzine, paint thinner, or other volatile liquids.
- When using a chemical duster, carefully read the caution notes on its use.

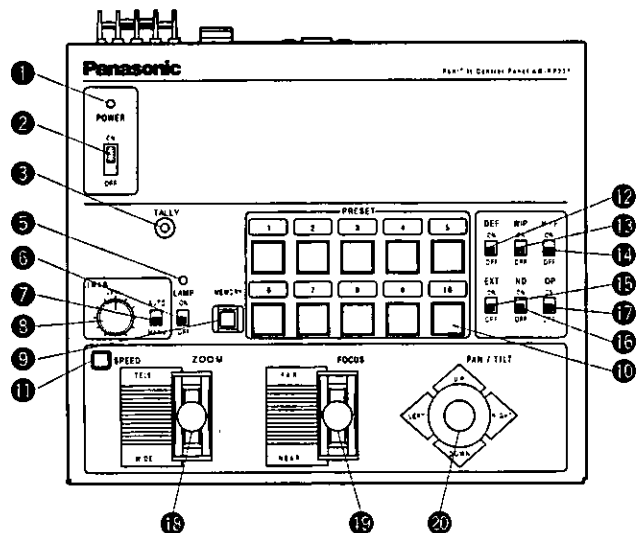
Precautions in Using Halogen Lamp

Set the power control switch to the OFF position after setting the lamp switch to the OFF position. Halogen lamp power will not be switched off if the AC adapter for the AW-RP301, AW-RP305 is disconnected or if the main circuit breaker is opened while the halogen lamp is in

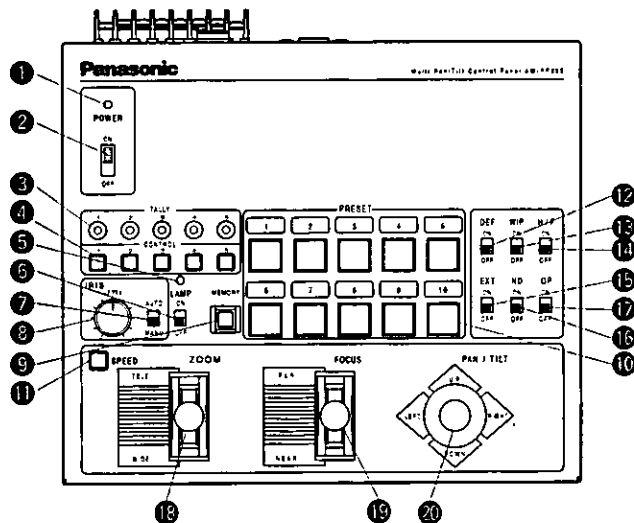
MAJOR OPERATING CONTROLS AND THEIR FUNCTIONS

■ Control Panel

AW-RP301



AW-RP305



❶ Power Indicator [POWER]

Lights red when POWER ON/OFF Switch ❷ is in the ON position, and goes out when the same switch is set to the OFF position.

❷ Power CONTROL Switch [POWER, ON/OFF]

All the connected pan/tilt heads are switched on when this switch is set to the ON position. (The power indicator lights.) The pan/tilt head are partially switched off when this switch is set to the OFF position.

Note: When the switch is set to the OFF position, the communication line between the pan/tilt head and this control panel remains live. To disconnect all power supply, pull out the power plug from the electrical outlet.

❸ Tally Indicator [TALLY]

On the AW-RP305, the LED corresponding to the TALLY Terminal ❷ from a Special Effect Generator (SEG) or video switcher. On the AW-RP305, the LED corresponding to the TALLY Terminal ❷ (one of [1] to [5]) to which a tally signal is input lights red.

❹ Pan/tilt Head Selection Switch [CONTROL] (AW-RP305 only)

Select a desired camera with pan/tilt head from among those connected to the control panel. When a camera with pan/tilt head is selected by pressing one of the buttons [1] to [5], the pressed button lights.

Note: Even if an unconnected camera with pan/tilt head is selected by pressing the corresponding button, the button lights.

❺ Lamp Indicator [LAMP]

Lights red when LAMP ON/OFF Switch ❻ is in the ON position. Flashes if the lamp connected to the AC Adapter (AW-PS300) for pan/tilt head is broken. Goes out when LAMP ON/OFF Switch ❻ is set to the OFF position.

Note: Use a halogen lamp of 250 W to 500 W to connect to the pan/tilt head AC Adapter (AW-PS300). If a lamp of lower than 250 W is connected to it, the LED may flash when LAMP ON/OFF Switch ❻ is in the ON position even though the lamp is not broken.

❻ Lamp Switch [LAMP, ON/OFF]

Switches on and off the halogen lamp connected to the lamp AC receptacle of the Pan/tilt Head AC Adapter (AW-PS300). In case of the AW-RP305, first select a pan/tilt head with CONTROL Switch ❹, then switch on or off the lamp. Set it to the ON position to switch the halogen lamp on (in which case, the lamp LED flashes). Set it to the OFF position to switch the halogen lamp off.

Note: In using the AW-RP305, when a pan/tilt head is selected with CONTROL Switch ❹, the halogen lamp connected to the AC adapter for the pan/tilt head selected with that switch lights or goes out depending on the position of LAMP Switch ❻.

7 Lens Iris Selection Switch [IRIS, AUTO/MANU]

Select a lens iris selection mode with this switch. When this switch is in the AUTO position, the lens iris is automatically controlled according to the quantity of light entering the lens. When the switch is in the MANU position, the iris can be manually controlled over the range from the closed position to the fully open position using IRIS LEVEL Control **8**.

Set the switch to the MANU position in storing iris data in PRESET Switches **9** with MEMORY Switch **10**. If the switch is in the AUTO position, iris data will not be stored in the memory.

Note: Len iris data may be unable to be stored in the memory depending on the camera connected.

8 Lens Iris Control [IRIS, LEVEL]

When IRIS AUTO/MANU Switch **7** is in the MANU position, the iris can be controlled over the range from the closed position to the fully open position using this control. Turning it clockwise opens the iris and turning it counterclockwise closes the iris.

If the preset memory is called by pressing PRESET Switch **10** when IRIS AUTO/MANU Switch **7** is in the MANU position, the iris is adjusted to the preset value stored in the memory regardless of the position of this control. If the control is turned after that, the iris is adjusted corresponding to the position of the control.

Note: Len iris data may be unable to be stored in the memory depending on the camera connected.

9 Preset Memory Switch [MEMORY]

Head pan/tilt positions, lens zoom/focus/iris (provided that IRIS AUTO/MANU Switch **7** is in the MANU position), can be preset in up to 10 memory buttons per pan/tilt head.

To preset them in these buttons, first select a head pan/tilt position and lens zoom/focus/iris; press MEMORY Switch **9** (so it lights yellow green and all the 10 buttons of PRESET Switch **10** flash); while keeping the MEMORY Switch **9** depressed, press one of the 10 buttons of PRESET Switch **10**) as desired. The pressed button in which the selected item is stored lights.

Note: Len iris data may be unable to be stored in the memory depending on the camera connected.

10 Preset Position Selection Switch [PRESET]

The head pan/tilt positions and lens zoom/focus/iris that are stored in the buttons of PRESET Switch **10** can be recalled to operate the pan/tilt head and the lens according to the preset data.

To preset them in the PRESET switches, first select a head pan/tilt position and lens zoom/ focus/iris; press the MEMORY Switch **9** (so it lights yellow green and all the 10 buttons of PRESET Switch **10** flash); at the same time press one of the 10 buttons of PRESET Switch **10** as desired. The pressed button in which the selected item is stored lights.

11 Speed Selection Switch [SPEED]

If ZOOM lever 18, FOCUS Lever 19, or PAN/TILT Lever 20 is moved while keeping SPEED Switch 29 depressed, the corresponding operation takes place at low speed, provided that SPEED SW CHANGE Switch 26 is in the LOW position. If one of these levers is moved with SPEED Switch 11 depressed when SPEED SW CHANGE Switch 26 is in the HIGH position, the corresponding operation takes place at high speed. SPEED Switch 11 remains lit while it is kept depressed.

12 Defroster Switch [DEF, ON/OFF]

If this switch is connected to a pan/tilt head with a built-in defroster function, it switches on and off the defroster.

Note: At the same time as a pan/tilt head is selected with CONTROL Switch 4 on the AW-RP305, the defroster of the selected pan/tilt head is switched on or off depending on the position of DEF ON/OFF Switch 12.

13 Wiper Switch [WIP, ON/OFF]

If this switch is connected to a pan/tilt head with a built-in wiper function, it switches on and off the wiper.

Note: At the same time as a pan/tilt head is selected with CONTROL Switch 4 on the AW-RP305, the wiper of the selected pan/tilt head is switched on or off depending on the position of WIP ON/OFF Switch 13.

14 Heater/Fan Switch [H/F, ON/OFF]

If this switch is connected to a pan/tilt head with a built-in heater or fan function, it switches on and off the heater or fan.

Note: At the same time as a pan/tilt head is selected with CONTROL Switch 4 on the AW-RP305, the heater or fan of the selected pan/tilt head is switched on or off depending on the position of H/F ON/OFF Switch 14.

15 Lens Extender Switch [EXT, ON/OFF]

If this switch is connected to a lens with a built-in extender function, it switches on and off the lens extender. For details, refer to the Operating Instructions for the Lenses and Pan/tilt Head.

Note: At the same time as a pan/tilt head is selected with CONTROL Switch 4 on the AW-RP305, the lens extender of the selected pan/tilt head is switched on or off depending on the position of Lens EXT ON/OFF Switch 15.

16 ND Filter Switch [ND, ON/OFF]

If this switch is connected to a lens with a built-in ND filter function, it switches on and off the ND filter. For details, refer to the Operating Instructions for the Lenses and Pan/tilt Head.

Note: At the same time as a pan/tilt head is selected with CONTROL Switch 4 on the AW-RP305, the ND filter of the selected pan/tilt head is switched on or off depending on the position of ND ON/OFF Switch 16.

17 Option Switch [OP, ON/OFF]

Controls the option switch terminal on the Pan/tilt Head AC Adapter (AW-PS300) to short circuit or open it. That is, the option switch terminal is shorted when OP ON/OFF Switch 17 is in the ON position, or is opened when it is in the OFF position. For details, refer to the Operating Instructions for the Pan/tilt Head AC Adapter.

Note: At the same time as a pan/tilt head is selected with CONTROL Switch 4 on the AW-RP305, the option switch terminal on the selected pan/tilt head is shorted or opened depending on the position of OP ON/OFF Switch 17.

18 Zoom Lever [ZOOM, TELE/WIDE]

Used to adjust the zoom of the lens. Zoom speed varies according to the angle of the lever. The lens moves toward TELE when the lever is moved toward TELE, or toward WIDE when the lever is moved toward WIDE, provided that ZOOM REVERSE Switch 27 is in the NOR position. When ZOOM REVERSE Switch 27 is set to the REV position, the lens moves in the opposite direction. ZOOM/FOCUS EXCHANGE Switch 28 may be used to exchange its function with FOCUS Lever 19.

19 Focus Lever [FOCUS FAR/NEAR]

Used to adjust the focus of the lens. Used to adjust the lens focus at varying speed depending on the angle of the lever. The lens is focused far when the lever is moved toward FAR, or near when the lever is moved toward NEAR, provided that FOCUS REVERSE

Switch 29 is in the NOR position. When FOCUS REVERSE Switch 29 is set to the REV position, the lens focus operates in the opposite direction. ZOOM/FOCUS EXCHANGE Switch 28 may be used to exchange its function with ZOOM Lever 18.

20 Pan/tilt Lever [PAN/TILT, UP/DOWN/LEFT/RIGHT]

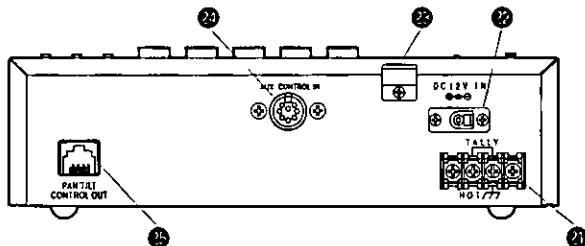
Used to control the pan/tilt operation of the pan/tilt head. Controls the head's pan/tilt operation at varying speed depending on the angle of the lever. The pan/tilt head turns up when the lever is moved toward UP, or down when it is moved toward DOWN, provided that TILT REVERSE Switch 30 is in the NOR position. The pan/tilt head moves in the opposite direction if the TILT REVERSE Switch 30 is in the REV position. The pan/tilt head turns leftward when the lever is moved toward LEFT, or rightward when it is moved toward RIGHT, provided that PAN REVERSE Switch 31 is in the NOR position. The pan/tilt head moves in the opposite direction if the PAN REVERSE Switch 31 is in the REV position.

Note: TILT REVERSE Switch 30 and PAN REVERSE Switch 31 may be used to reverse the operating direction of the pan/tilt head, but be sure to set the operating direction of the pan/tilt head with its mounting direction selection switch during its installation depending on whether the pan/tilt head is mounted on the floor or is suspended. Unless the mounting direction selection switch on the pan/tilt head is properly set, the pan/tilt head will pan or tilt in the opposite direction and the pan/tilt head operation limiters will not be properly stored

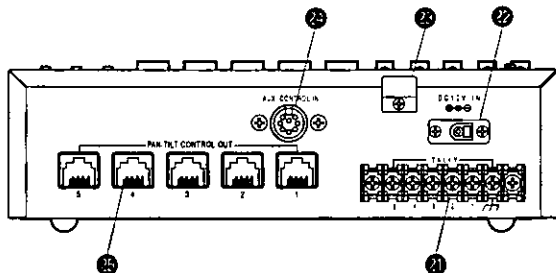
in the memory. For details on the setting of this switch, refer to INSTALLATION OF PAN/TILT HEAD at page 13 or the Operating Instructions for the Pan/tilt Head.

■ REAR PANEL

• AW-RP301



• AW-RP305



- ② **TALLY Terminal [TALLY] (AW-RP301: 2-pin Terminal Board) (AW-RP305: 6-pin Terminal Board)**
Connect it to the tally connector on a special effect generator (SEG) or a video switcher, for example. When HOT Terminal on the AW-RP301 or any of [1] to [5] terminals on the AW-RP305 falls to ground voltage level, the corresponding system TALLY indicator ③ and the tally indicator on the Pan/tilt Head (AW-PH300) light red.

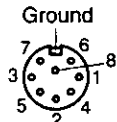
- ② **12V DC Input Connector [DC 12V IN] (DC Jack)**
Connect the AC Adapter AW-PS301 (optional).

- ② **Cord Clamp (Clamper)**
Clamps the DC cord of the AC Adapter AW-PS301 (optional) connected to DC 12V IN Connector ② to prevent its disconnection.

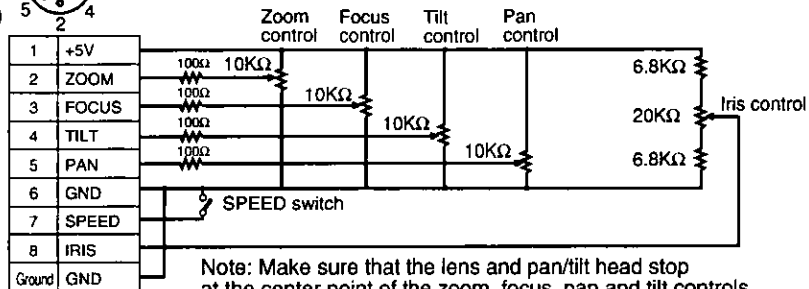
- ② **Auxiliary Control Input Connector [AUX CONTROL IN] (8-pin DIN Connector)**
External control signals are input to this connector in controlling the head's pan/tilt, lens zoom, focus and iris operations.

Note: In externally controlling the pan/tilt head and lens through this connector, set IRIS LEVEL Control ⑧ on this control panel to the center point (straight up), and do not simultaneously operate SPEED Switch ①, ZOOM Lever ⑬, FOCUS Lever ⑲, and PAN/TILT Lever ⑳. Operation errors may occur if external controls are simultaneously used.

8-pin DIN connector
pin assignment
(as viewed from the
rear of the control panel)



Example of auxiliary
control circuit

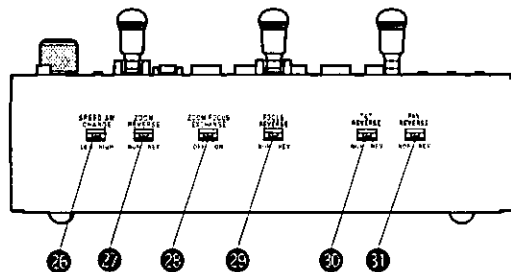


Note: Make sure that the lens and pan/tilt head stop at the center point of the zoom, focus, pan and tilt controls (or at the lever reset position if the controls have a lever reset function).

25 **Pan/tilt Control Output Connector**
[TO MULTI PORT HUB, PAN/TILT CONTROL OUT]
(RJ-45 8-pin Modular Jack)

Connect it to pan/tilt control output connector [PAN/TILT CONTROL IN] on the pan/tilt head with a 10BASE-T straight cable (UTP category 5 or equivalent), which may be extended up to 500 meters.

■ Front Panel



26 Speed Switch Changing Switch [SPEED SW CHANGE, LOW/HIGH]

Changes the polarity of SPEED Switch ①. If ZOOM lever ⑱, FOCUS Lever ⑲, or PAN/TILT Lever ⑳ is moved while keeping SPEED Switch ① depressed, the corresponding operation takes place at low speed, provided that SPEED SW CHANGE Switch 26 is in the LOW position. If one of these levers is moved with SPEED Switch ① depressed when SPEED SW CHANGE Switch 26 is in the HIGH position, the corresponding operation takes place at high speed.

The speed polarity can also be changed by pressing MEMORY Switch ⑨ while keeping SPEED Switch ① depressed. When this step is taken again, the original speed polarity is restored. Take this step if it is difficult

to shift SPEED SW CHANGE Switch 26 because this control panel is mounted on a console or the like.

27 Zoom Reverse Switch [ZOOM REVERSE, NORM/REV]

Changes the operating direction of ZOOM Lever ⑱. The lens zoom moves toward TELE when ZOOM Lever ⑱ is moved toward TELE, or toward WIDE when it is moved toward WIDE, provided that ZOOM REVERSE Switch 27 is in the NOR position. When ZOOM REVERSE Switch 27 is set to the REV position, lens zoom operation takes place in the opposite direction. With ZOOM REVERSE Switch 27 in the REV position, the operating directions shown on the panel are reversed. In this case, paste the supplied seal on the panel.

28 Zoom/Focus Exchange Switch [ZOOM/FOCUS EXCHANGE, ON/OFF]

ZOOM Lever ⑱ and FOCUS Lever ⑲ exchange their function between them when this switch is set to the ON position. Unless this exchange is needed, keep the switch in the OFF position.

With ZOOM/FOCUS EXCHANGE Switch 28 in the ON position, the operations shown on the panel do not agree with the indications on the panel. In this case, paste the supplied seal on the panel.

29 Focus Reverse Switch

[FOCUS REVERSE, NOR/REV]

Changes the operating direction of FOCUS Lever 19. The lens is focused far when FOCUS Lever 19 is moved toward FAR, or near when the lever is moved toward NEAR, provided that FOCUS REVERSE Switch 29 is in the NOR position. When FOCUS REVERSE Switch 29 is set to the REV position, the lens focus operates in the opposite direction.

With FOCUS REVERSE Switch 29 in the REV position, the operating directions shown on the panel are opposite to the indications on the panel. In this case, paste the supplied seal on the panel.

30 Tilt Reverse Switch [TILT REVERSE, NOR/REV]

Changes the tilt direction controlled by PAN/TILT Lever 20. The pan/tilt head turns up when PAN/TILT Lever 20 is moved toward UP, or down when it is moved toward DOWN, provided that TILT REVERSE Switch 30 is in the NOR position. The pan/tilt head moves in the opposite direction if the TILT REVERSE Switch 30 is in the REV position.

With TILT REVERSE Switch 30 in the REV position, the operating directions shown on the panel are opposite to the indications on the panel. In this case, paste the supplied seal on the panel.

31 Pan Reverse Switch [PAN REVERSE NOR/REV]

Changes the pan direction controlled by PAN/TILT Lever 20. The pan/tilt head turns leftward when PAN/TILT Lever 20 is moved toward LEFT, or rightward if it moved toward RIGHT. The rotary head turns in the opposite direction if the PAN REVERSE Switch 31 is in the REV position, provided that PAN REVERSE Switch 31 is in the NOR position. When PAN REVERSE Switch 31 is set to the REV position, the pan/tilt head turns in the opposite directions.

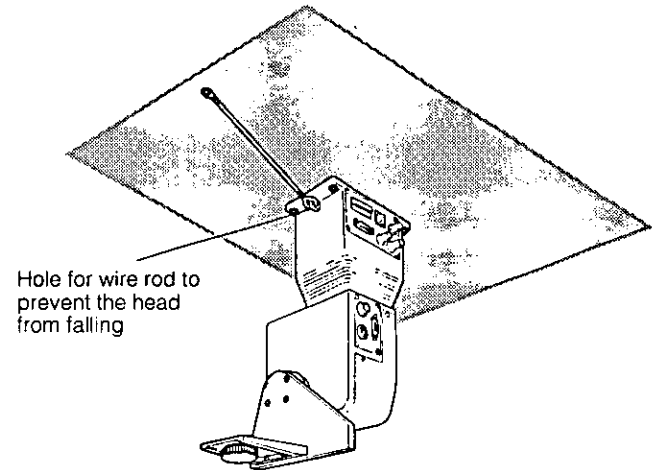
With PAN REVERSE Switch 31 in the REV position, the operating directions shown on the panel are opposite to the indications on the panel. In this case, paste the supplied seal on the panel.

Note: TILT REVERSE Switch 30 and PAN REVERSE Switch 31 may be used to reverse the operating direction of the pan/tilt head, but be sure to set the operating direction of the pan/tilt head with its mounting direction selection switch during its installation depending on whether the pan/tilt head is mounted on the floor or is suspended. Unless the mounting direction selection switch on the pan/tilt head is properly set, the pan/tilt head will pan or tilt in the opposite direction and the pan/tilt head operation limiters will not be properly stored in the memory. For details on the setting of this switch, refer to INSTALLATION OF PAN/TILT HEAD at page 13 or the Operating Instructions for the Pan/tilt Head.

INSTALLATION OF PAN/TILT HEAD

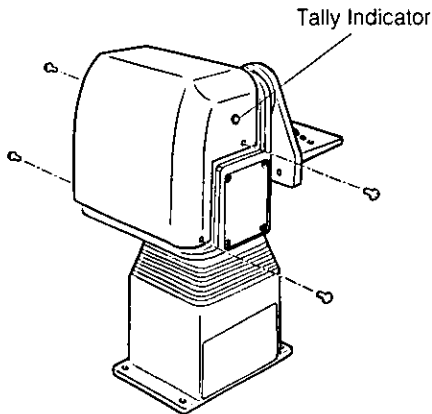
- Install the pan/tilt head after carefully reading the Operating Instructions for Pan/tilt Head.
- Have four hex bolts (M6 x 4) ready for mounting the pan/tilt head. Select bolts of a length appropriate to the material and structure of the mounting base and the overall weight applied to it. Fasten the bolts securely with plain washers, spring washers, and hex nuts. If the bolts are not securely tightened, the pan/tilt head might fall to cause injuries or accidents. In case of suspending the pan/tilt head, locally purchase a wire rod strong enough to hold the pan/tilt head, camera, and lenses, pass it through the wire hole opened in a firm board, such as of the ceiling, for example, and fasten it securely.
- The switches on the pan/tilt head have been preset before shipment from the factory on the assumption that the pan/tilt head would be suspended from the ceiling. If the pan/tilt head is mounted on a board, for example, be sure to shift the mounting direction switches on the pan/tilt head. Unless this is done, pan/tilt directions will be reversed and pan/head operation limiter data cannot be properly stored in the memory. For details on shifting these switches, refer to the Operating Instructions for Pan/tilt Head.

Have a strong enough wire rod head and fasten it securely to a firm board, such as of the ceiling.



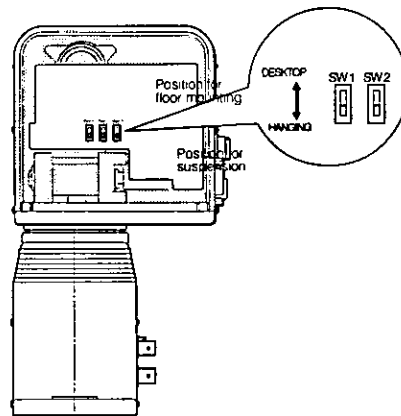
• Changing Switch Settings on Pan/tilt Head

- ① Remove the cover from the pan/tilt head.
 - * Be careful of the Tally Indicator wire.



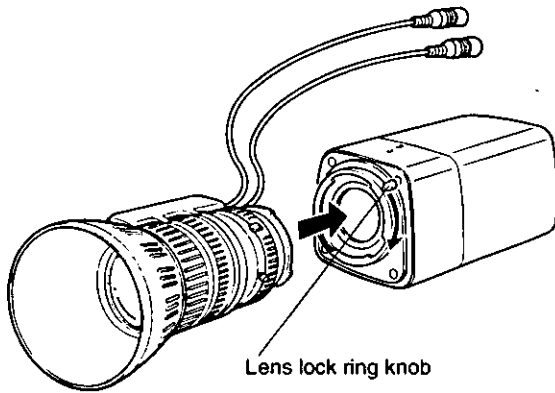
- ② Shift the mounting direction switches (SW1, SW2) on the pan/tilt head depending on whether the head is suspended from the ceiling or mounted on the floor. They are originally set for suspended installation.
 - * Do not shift SW3, which is originally set to P/T CONTROL SERIAL. If SW3 is shifted from the original position, no operations can be controlled from the control panel.

- ③ Place the cover back on the pan/tilt head.
 - * Be sure not to trap the wires.



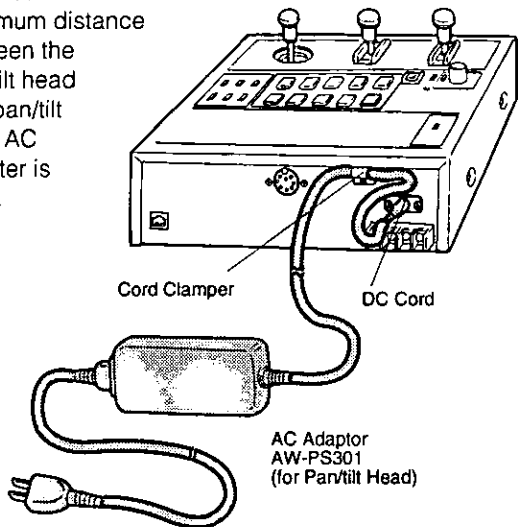
■ Lens Mounting

- Turn the lens lock ring knob fully counterclockwise.
- If the lens mount has a cap, remove the cap.
- With the lens positioning pin up, mount the lens.
- Turn the lens lock ring knob clockwise till the lens is securely fastened.

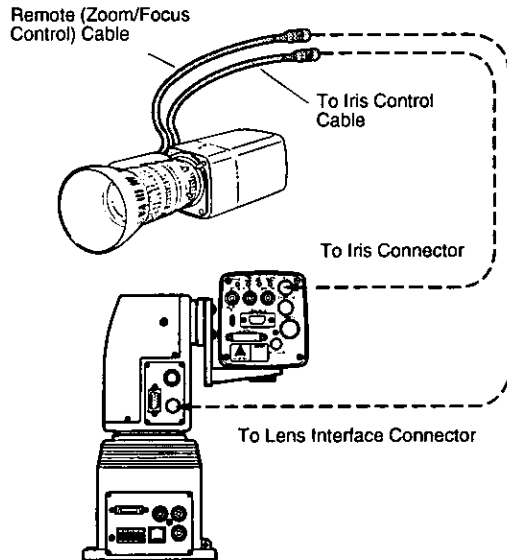


CONNECTIONS

- Before making any connection, switch off all the components of the system.
- Use the control panel AC Adapter AW-PS301 (optional) and pan/tilt head AC Adapter AW-PS300 (optional).
- Use the Pan/tilt Head AW-PH300.
- Locally purchase a DC cable with a nominal cross section of 1.25 mm² or larger that meets the Electric Appliance Control Law, and connect the pan/tilt head AC Adapter AW-PH300 to the Pan/tilt Head AC Adaptor AW-PS 300 with that cable. The maximum distance between the pan/tilt head and pan/tilt head AC adapter is 30 m.

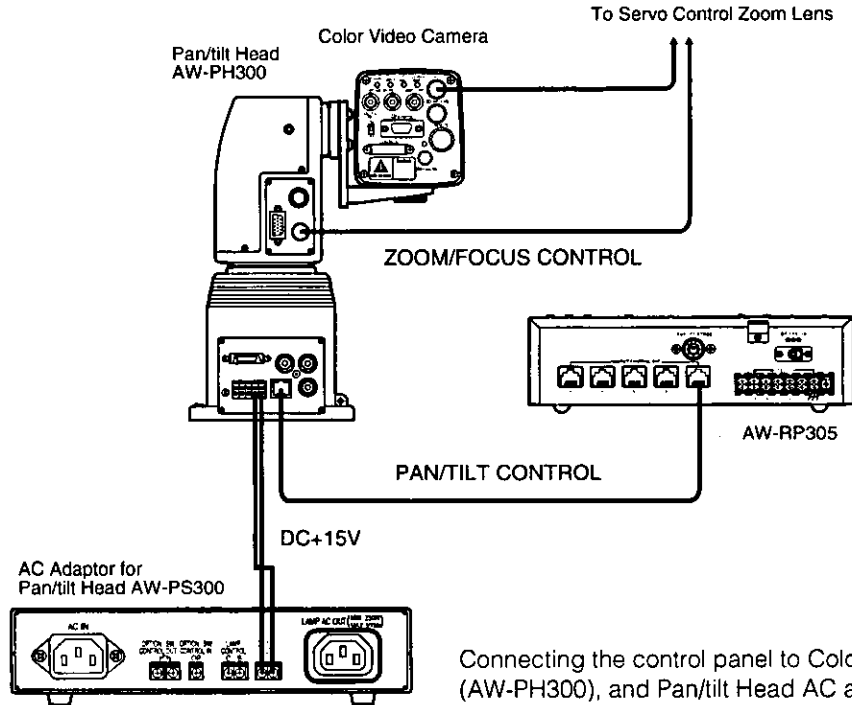


- Connect the AC Adaptor AW-PS301 to the control panel and clamp the DC cable of the AC adapter to the cord clamp on the control panel.
- Connect the iris control cable of the motor-driven zoom lens to the camera and the remote (zoom/focus control) cable to the pan/tilt head. If the remote (zoom/focus control) cable of the motor-driven zoom lens is connected to the camera, the lens cannot be controlled.



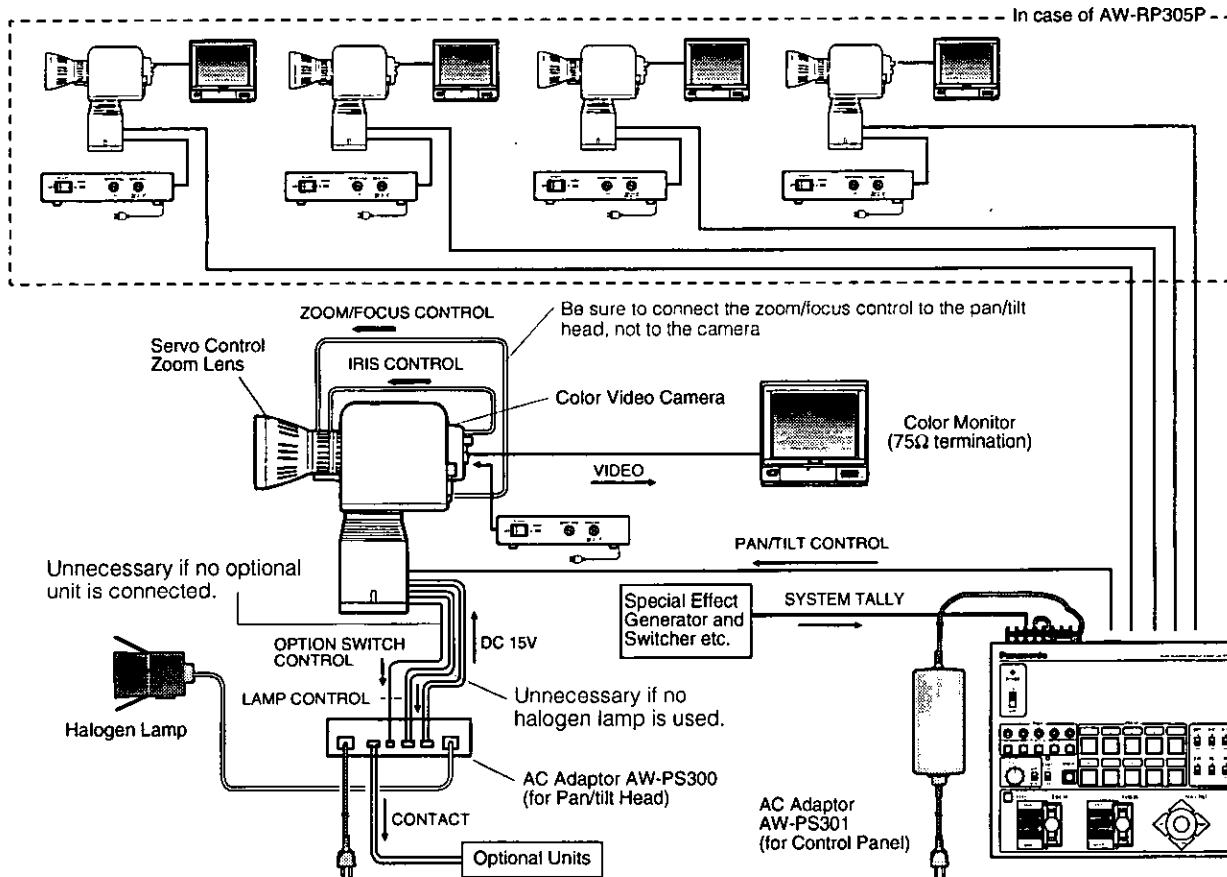
- Connect the control panel to the pan/tilt head with one 10BASE-T cable (pan/tilt head control signal) per pan/tilt head. The maximum distance between the control panel and pan/tilt head is 500 meters for 10BASE-T cable (UTP category 5 or equivalent) per pan/tilt head.

- For further details on connecting the individual devices, refer to their operating instruction manuals.



Connecting the control panel to Color Video Camera Pan/tilt Head (AW-PH300), and Pan/tilt Head AC adaptor (AW-PS300)

• Example of System Connection



OPERATING PROCEDURES

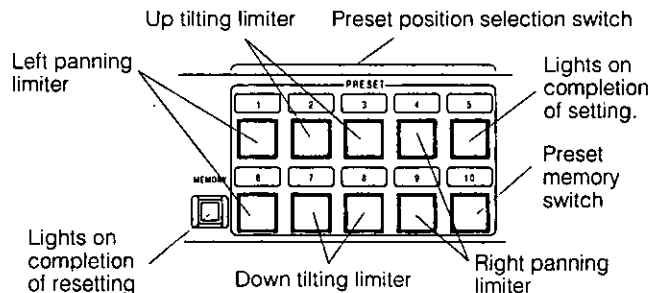
1. Power

Set the power switch on the pan/tilt head AC adapter to the ON position, then set Power control Switch ② on the control panel to the ON position.

2. Pan/tilt Limiter Setting for Pan/tilt Head

If there are obstacles around the pan/tilt head, set the limiters to limit the operating range (pan left and right ends, tilt up and down ends) of the pan/tilt head.

Note: The switches on the pan/tilt head have been pre-set before shipment from the factory on the assumption that the pan/tilt head would be suspended from the ceiling. If the pan/tilt head is mounted on a board, for example, be sure to shift the mounting direction switches on the pan/tilt head. Unless this is done, pan/tilt directions will be reversed and pan/head operation limiter data cannot be properly stored in the memory. For details on shifting these switches, refer to INSTALLATION OF PAN/TILT HEAD at page 13 or the Operating Instructions for Pan/tilt Head.



① On the AW-RP305, select a pan/tilt head with CONTOR Switch ④.

② Left Panning Limiter

Turn the pan/tilt head to the desired left panning limit with PAN/TILT Lever ⑳, keep MEMORY Switch ⑨ depressed, and simultaneously press buttons [1] and [6] of PRESET Switch ⑩ for 5 seconds or more. When the desired limit has been set, button [5] of PRESET Switch ⑩ lights.

To reset the limit, keep the MEMORY switch ⑨ depressed, and simultaneously press buttons [1] and [6] of PRESET Switch ⑩ again for 5 seconds or more. When the set limit is reset, button [10] of PRESET Switch ⑩ lights.

③ Right Panning Limiter

Turn the pan/tilt head to the desired right panning limit with PAN/TILT Lever ⑳, keep MEMORY Switch ⑨ depressed, and simultaneously press buttons [4] and [9] of PRESET Switch ⑩ for 5 seconds or more. When the desired limit has been set, button [5] of PRESET Switch ⑩ lights.

To reset the limit, keep the MEMORY Switch ⑨ depressed, and simultaneously press buttons [4] and [9] of PRESET Switch ⑩ again for 5 seconds or more. When the set limit is reset, button [10] of PRESET Switch ⑩ lights.

④ Up Tilting Limiter

Turn the pan/tilt head to the desired up tilting limit with PAN/TILT Lever ⑳, keep MEMORY Switch ⑨ depressed, and simultaneously press buttons [2] and [3] of PRESET Switch (28) for 5 seconds or more. When the desired limit has been set, button [5] of PRESET Switch ⑩ lights.

To reset the limit, keep the MEMORY switch ⑨ depressed, and simultaneously press buttons [2] and [3] of PRESET Switch ⑩ again for 5 seconds or more. When the set limit is reset, button [10] of PRESET Switch ⑩ lights.

⑤ Down Tilting Limiter

Turn the pan/tilt head to the desired down tilting limit with PAN/TILT Lever ⑳, keep MEMORY Switch ⑨ depressed, and simultaneously press buttons [7] and [8] of PRESET Switch ⑩ for 5 seconds or more. When the desired limit has been set, button [5] of PRESET Switch ⑩ lights.

To reset the limit, keep the MEMORY switch ⑨ depressed, and simultaneously press buttons [7] and [8] of PRESET Switch ⑩ again for 5 seconds or more. When the set limit is reset, button [10] of PRESET Switch ⑩ lights.

⑥ Select one pan/tilt head after another with CONTROL Switch ④ on the AW-RP305, and set the operating range limiters of each pan/tilt head.

3. Pan/tilt Head Presetting

- ① On the AW-RP305, select a pan/tilt head with CONTROL Switch ④.
- ② Pick up a desired object with the camera using PAN/TILT Lever ⑳ ZOOM Lever ㉑ and FOCUS Lever ㉒. To store iris data in the memory, set IRIS AUTO/MANU Switch ⑦ to the MANU position and turn the iris control. When IRIS AUTO/MANU Switch ⑦ is in the AUTO position, iris data will not be stored in the memory.

Note: Lens iris data may be unable to be stored in the memory depending on the camera connected.

- ③ Keep MEMORY Switch ⑨ depressed (MEMORY Switch ⑨ lights and all the 10 buttons of PRESET Switch ⑩ flash), press any of the buttons [1] to [10] of PRESET Switch ⑩ as desired to store the data in the memory. Only that button of PRESET Switch ⑩ where the data is stored lights.

Note: If data is stored again in the same button of PRESET Switch ⑩ the preceding data is deleted.

- ④ In case of the AW-RP305, repeat Steps ①, ② and ③ to store the presettings of all the pan/tilt heads in the memory.

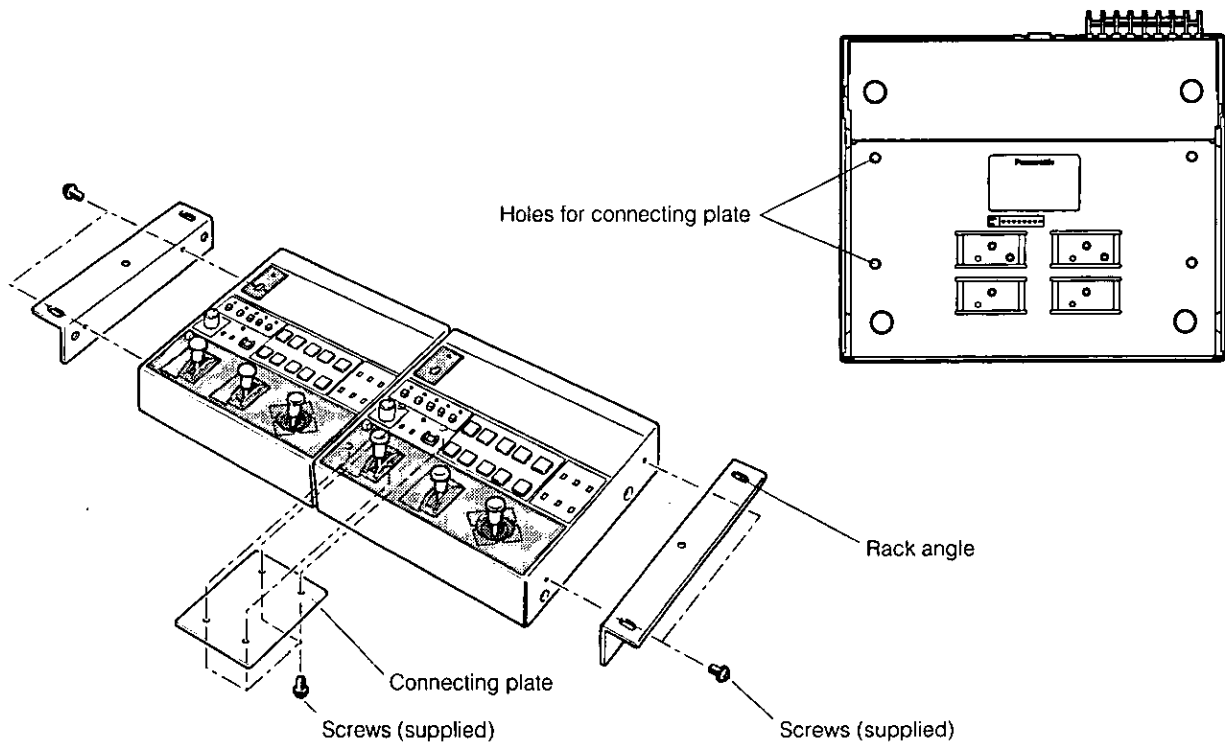
4. Various Switch Settings

Select a desired operating pan/tilt head with CONTROL Switch ④ on the AW-RP305. Control the pan/tilt head with the preset position selection switch, pan/tilt levers, zoom lever, focus lever, lens iris AUTO/MANU switch, lens iris control, and other switches.

- * Unless the settings are to be changed, it is not necessary to take the setting procedures described in Section 2 and 3.

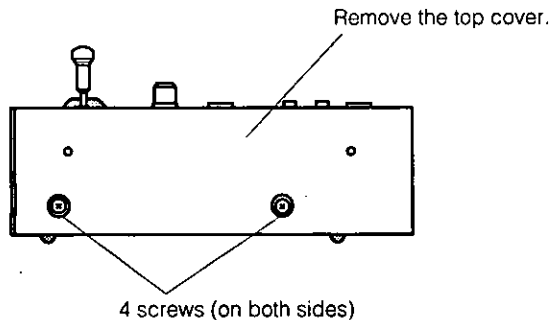
RACK MOUNTING

■ Rack Mounting

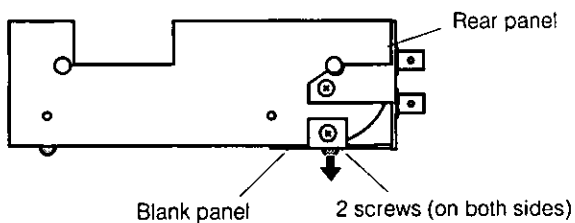


■ How to Change Rear Panel Direction

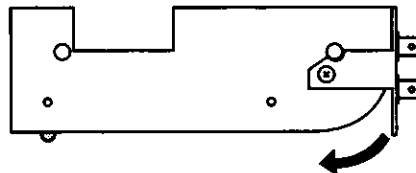
- ① Remove the four screws from both sides of the top cover, and take the top cover off.



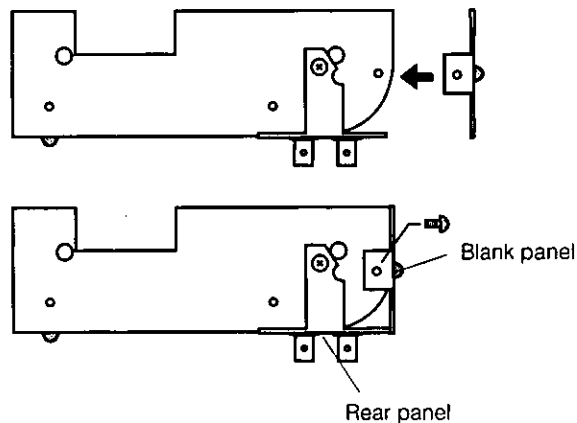
- ② Remove the two screws and take the blank panel off.



- ③ Loosen the rear panel screw, turn the rear panel down, and fasten it to the bottom.



- ④ Fasten the blank panel back to the rear.



SPECIFICATIONS

Source Voltage	12 V DC (DC jack)
Power Consumption	AW-RP301: 12V, 0.3A AW-RP305: 12V, 0.5A
Pan/tilt Control Output	AW-RP301: Control signal (RJ-45 8P modular jack) AW-RP305: Control signal x 5 (RJ-45 8P modular jack)
System Tally Input	AW-RP301: Tally signal (2 pin Terminal block) AW-RP305: Tally signal (6 pin Terminal block)
Auxiliary Control Input Switches	Control signal (8 pin DIN connector) Power ON/OFF Switch, CONTROL Switch(AW-RP305 only), LAMP ON/OFF Switch, IRIS AUTO/MANU Switch, MEMORY Switch, PRESET Switch, SPEED Switch, DEF Switch, WIP Switch, H/F Switch, EXT Switch, ND Switch, OP Switch, SPEED SW CHANGE Switch, ZOOM REVERSE Switc, ZOOM / FOCUS EXCHANGE Switch FOCUS REVERSE Switch, TILT REVERSE Switch, PAN REVERSE Switch IRIS LEVEL Control, ZOOM Lever, FOCUS Lever, PAN/TILT Lever
Controls	
Pan/tilt Head Connecting Cable:	AW-RP301: 10BASE-T cable : 1 pc. AW-RP305: 10BASE-T cable : 1 pc.(per pan/tilt head)
Maximum cable length:	500 m (In case of using 10BASE-T cable UTP category-5)
Operating temperature	-10°C to +45°C (14°F to +113°F)
Dimensions	210 (W) x 88 (H) x 177 (D) mm [8-1/4" (W) x 3-1/2" (H) x 7" (D)]
Weight	2.1 kg (4.6 lbs.)
Finish	AV Ivory painting

Weight and dimensions indicated are approximate.
Specifications are subject to change without notice.

ACCESSORIES

Seal	1	Mounting screws	12
Rack mounting part	2	M4x mm	8
		M5x mm	4
		Connecting plate	1

Panasonic

Broadcast & Television Systems Company

Division of Matsushita Electric Corporation of America

Executive Office: One Panasonic Way 3F-5, Secaucus, NJ 07094

Regional Offices:

EASTERN ZONE: 50 Meadowlands Parkway, Secaucus, NJ 07094 (201) 348-7620

CENTRAL ZONE: 1707 North Randall Road, Elgin, IL 60123 (847) 468-5200

SOUTHERN ZONE:

Atlanta Region: 1225 Northbrook Parkway, Suite 1-160, Suwanee, GA 30024

Panazip 11 (770) 338-6841, fax (770) 338-6741

Law Enforcement Video Products: 1225 Northbrook Parkway, Suite 1-160, Suwanee, GA

30024, Panazip 11 (770) 338-6844, fax (770) 338-6721

WESTERN ZONE:

Seattle Region: 1200 Westlake Ave., North, Suite 508, Seattle, WA 98109 (206) 285-8883

Los Angeles Region: 6550 Katella Ave. 17A-1, Cypress, CA 90630 (714) 373-7271

Government Marketing Department: 52 West Gude Drive, Rockville, MD 20850 (301) 738-3840

PANASONIC CANADA INC.

5770 Ambler Drive, Mississauga, Ontario, L4W 2T3 Canada (905) 624-5010

PANASONIC SALES COMPANY

DIVISION OF MATSUSHITA ELECTRIC OF PUERTO RICO, INC.

San Gabriel Industrial Park, 65th Infantry Ave. KM. 9.5 Carolina, Puerto Rico 00630 (809) 750-4300

N1197-0

7J1A077A

Printed in Japan